

KUMU is an ADA original decorative materials series for Nature Aquarium and paludariums. Combine several items to create scenes of nature. Enjoy layout conception with greater freedom.

KUMU DISPLAY RACK 60 / 90

1. IMPORTANT

English

- Before using this product, make sure to read this instruction manual carefully and understand all of its directions. Use this product only after its proper handling method is fully understood.
- Keep this instruction manual at hand for future reference.
- Aqua Design Amano Co. Ltd. shall not compensate for any damage or accident caused by or arising out of careless handling by the user.
- In case of missing or damaged components, please do not assemble and contact your local distributor.

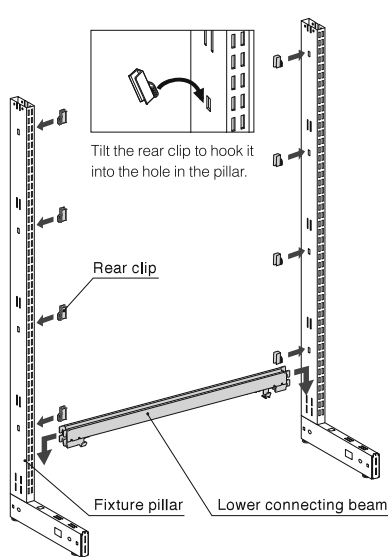
2. Assembling KUMU Display Rack

● KUMU Display Rack 60/90 fixture components *Please prepare a rubber hammer for assembling.

- Fixture pillar x 2 • Upper connecting beam x 1 • Lower connecting beam x 1 • Rear plate x 1 • Rear net x 1 • Rear clip x 8 • Pillar cap x 2 • Shelf board x 1 • Kick plate x 1
- Display hook W60 = 20 pieces • Display hook W90 = 30 pieces • Logo panel for KUMU x 1 • Logo panel stand for KUMU x 2

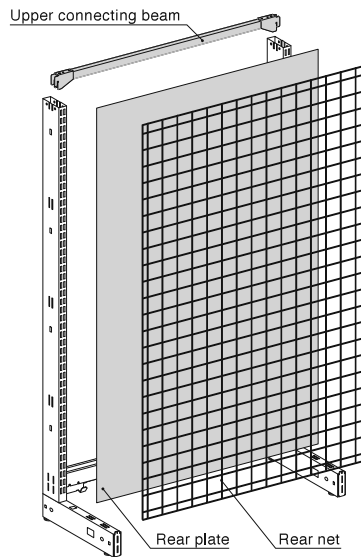
Step 1

1. Using a rubber hammer, hammer the lower connecting beam into the fixture pillar at the position shown in the figure.
2. Attach the rear clips to the holes on the side of the pillar at 8 locations (evenly spaced).



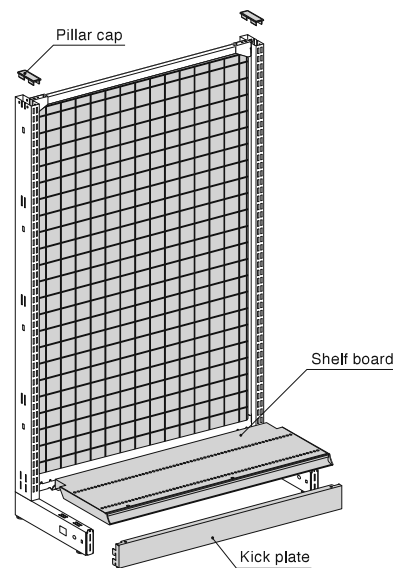
Step 2

3. Insert the rear net into the rear clips.
4. While guiding the rear net, insert the rear plate into the rear clips.
5. Attach the upper connecting beam to the top end of the fixture pillars.



Step 3

6. Attach the kick plate to the fixture pillars at the position shown in the figure.
7. Place the shelf board on the fixture pillars in the position shown in the figure.
8. Clip the pillar caps onto the top end of the fixture pillars.
9. Hang the display hooks on the rear net to display the products.
10. Attach Logo panel for KUMU with Logo panel stand for KUMU evenly, and place it on the shelf board.



- Make sure that all the parts are included in the package before starting assembly.
- Please assemble with one or more other adults.
- Ensure a wide working space for assembly of this product. Put a cloth or cardboard on the floor to avoid damage to the floor and/or existing furniture during the assembly process.
- Attach the parts to the correct positions in the correct order as shown in this manual. Make sure that the orientation of the parts (front/rear) is correct before attaching them.
- Make sure to use a rubber hammer for assembly and installation. Hard objects such as a metal hammer may chip the paint or damage the product.
- Be careful not to bend or deform the parts.
- Be sure to wear gloves (such as cotton work gloves) during assembly to avoid injury to fingers.
- If you have any questions regarding assembly, please contact your local distributor.

3. Safety Instructions

⚠ CAUTION: Improper or negligent use of the fixture may result in serious bodily harm and damage of property. Please be sure to use the product by following the instructions outlined below.

- This product is a display fixture specifically for ADA products. Do not use this product for any other purposes.
- Avoid installing this product on any inclined or uneven surface. Be sure to install this product on a flat and level surface.
- Install this product on a firm, even surface that will not move or get dented due to the weight of the product itself. (Otherwise, damage to this product, house or premise may be caused.)
- Once installed, regularly check that each part has not come loose, and if loose, securely re-fasten. (Otherwise, damage to this product may occur.)
- If water spills on this product, wipe off the water immediately and completely with a dry cloth.
- Never use this product outdoors to avoid rust and corrosion which could result in deteriorated durability of this product.
- Do not relocate the fixture with displays on it. Please also do not drag the fixture when moving, but lift up and move.
- Keep away from the reach of children. Toppling or rocking the fixture may result in serious bodily injury and damage of property.
- Do not use the fixture as a stepladder or for sitting on. This may result in serious damage of the fixture, or bodily injury.
- KEEP OUT OF REACH OF CHILDREN.