

**DX-5B**

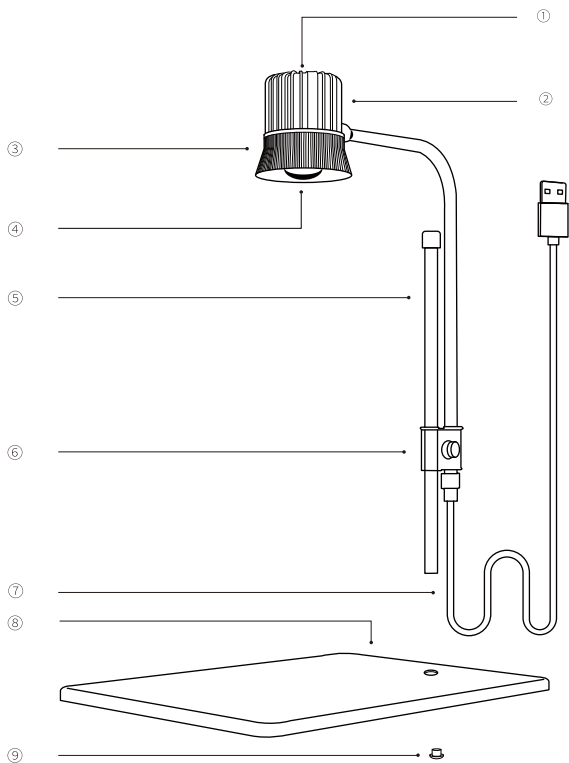
产品使用说明



**Biooark®**

Pursue the pleasure of nature Integrating Biology and space  
Sunlight / air / water / soil nurtures the vigorous life Biological ark in noisy concrete jungle.

## 产品装配图



- ① 触摸开关      ② 灯壳      ③ 灯罩      ④ 植物灯      ⑤ 延长杆  
⑥ 调节器      ⑦ USB线      ⑧ 金属底板      ⑨ 紧固螺丝

- ① Touch switch    ② Lamp housing    ③ lampshade    ④ Plant light    ⑤ Extension rod  
⑥ Regulator      ⑦ USB cable      ⑧ Metal base    ⑨ Fastening screws

## 基本参数

型号:DX-5B	额定功率:5W	额定输入:DC5V
色温:7000-8000K	LED:白光LED	
产品高度:290-400mm	底板尺寸:220*170mm	

## Basic parameters

MODEL:DX-5B	Rated power:5W	Rated input:DC 5V
Color temperature:7000-8000K	LED:White light LED	
Product height:300-400mm	plate size:220*170mm	

## 包装清单

5W灯体*1	延长杆*1	调节器*1	金属底板*1	说明书*1
合格证*1	六角扳手*1	紧固螺丝*1		

## Packing list

5W Lamp body*1	Extension rod*1	Regulator*1	Metal base*1
Instructions*1	Certificate*1	Hexagon wrench*1	Fastening screws*1

## 注意事项

请绝对不要对产品进行分解、改造等。否则会发生火灾、触电、故障等事故。

使用时请注意不要使产品沾到水。否则有可能发生触电、故障等事故。产品沾到水后,请停止使用。

请绝对不要用湿手插入或拔出电源插头。否则有触电的危险。

请不要在产品上覆盖布或纸类等易燃物品。

请不要在易燃物的周围使用。否则有可能会引起火灾等事故发生

严禁强行弯曲、拧、拉电源线。否则有可能导致电源线破损,引发火灾、触电等事故发生。

在开灯的状态下,请一定不要直视LED灯。

## Precautions

Do NOT disassemble nor modify this product. It can cause fire, electric shock or malfunction of the product.

Avoid water. It can cause electric shock or malfunction of the product. Stop using this product immediately if the product gets wet.

Do NOT touch the power supply cord with wet hands. It can cause electric shock.

Do NOT cover this product with any flammable materials including a cloth or paper.

Do NOT use this product near flammable materials. It can cause fire.

Do NOT forcefully bend, twist or pull the power supply cord.

If the power supply cord is damaged, it can cause fire or electric shock.

Do NOT look directly into the LED light.

自购买之日起保修1年

1 year warranty from the date of purchase

厂商: 山东喜尊商贸有限公司

地址: 中国. 山东省济南市历下区世纪大道13788号

电话: +86-0531-88286585

Enterprise: Shandong Xizun Trading Co., Ltd.

Address: China. No. 13788, Century Avenue, Lixia District, Jinan City, Shandong Province

Tel: +86-0531-88286585

